

| | | | |
|------------|-------------------|-----------------------|-------------------|
| Model Name | Switch-M24eGLPWR+ | Product Specification | 401-28248-SG-SP01 |
| Model No. | PN28248-SG | | Page 1 of 10 |

1. Summary

Switch-M24eGLPWR+ is an Ethernet Switching Hub with management function having 24 ports of 10/100/1000BASE-T and two pairs of 10/100/1000BASE-T port and SFP extension slot, one of which is selectable. Port 1 to 24 support IEEE802.3at PoE power supply function.

2. Features

- (1) Has wire-speed Layer 2 switching function.
- (2) Ports 1 to 24 are 10/100/1000BASE-T ports corresponding to auto negotiation. Also their speed and communication mode can be switched by configuration. Ports 25 and 26 can be used as a 10/100/1000BASE-T port corresponding to auto negotiation or an SFP extension slot exclusively.
- (3) Ports 1 to 24 can supply power conforming with IEEE802.3at. Supplying power up to 30 W per port, and up to 185 W in total is possible.
- (4) All twisted pair ports support straight/cross cable auto sensing function. Simply connect devices with straight cables, whether it is a terminal or a network device. (This function does not work if the port communication configuration is set at Fixed or Link Aggregation. Ports 1 to 16 are set at MDI-X. (default))
- (5) Telnet allows remote configuration changes and verifications of the Switching Hub. Remotely configure the PoE settings for each port (Ports 1 to 24).
- (6) Equipped with energy efficient Ethernet (EEE) conforming to IEEE802.3az (LPI). When there is no data transmission at link up, the energy-saving state automatically starts so that power consumption can be reduced on each port.
- (7) Embedded power saving mode detects the connection status automatically and saves power consumption to minimum.
- (8) VLAN function allows free grouping of up to 256 VLANs.
- (9) The IEEE802.1w Rapid Spanning Tree Protocol is supported, allowing to build a system with redundancy.
- (10) The IEEE802.1p compatible QoS function is supported.
- (11) The IEEE802.1X compatible user authentication function (EAP-MD5/TLS/PEAP) is supported.
- (12) Has an Internet Mansion function, which ensures security between each door.
- (13) Due to the loop detection/shutoff function, a port where loop has occurred can be automatically shut off to prevent loop failures. When a port is shut off and recovered automatically, SNMP trap can be sent to notify the incident to the administrator. Moreover, the port with a loop can be identified by loop notification on the LEDs on the main unit and referring the history of loop on the setting screen.
- (14) The PoE scheduler function enables scheduling of PoE power supply control.

| | | |
|--------------|--------------|--|
| Date issued | July 4, 2016 | Panasonic Eco Solutions Networks Co., Ltd. |
| Date revised | | |

| | | | |
|------------|-------------------|-----------------------|-------------------|
| Model Name | Switch-M24eGLPWR+ | Product Specification | 401-28248-SG-SP01 |
| Model No. | PN28248-SG | | Page 2 of 10 |

3. Rated/Environmental Conditions

| | |
|-----------------------------|---|
| 3-1. Power supply | AC100-240V, 50/60Hz, 4.5A (with a built-in power supply) |
| 3-2. Power consumption | Normally, Max.234W (33.6W when not supplying power), Min.19.5W |
| 3-3. Operating environment | Temperature: 0 - 50°C Humidity: 20 - 80%RH (no condensation) |
| 3-4. Storage environment | Temperature: -20 - 70°C Humidity: 10 - 90%RH (no condensation) |
| 3-5. EMC compliance | CISPR 22 Class A EN 55022 Class A EN 55032 Class A AS/NZS CISPR22 Class A VCCI Class A EN 61000-3-2, EN 61000-3-3 CISPR 24, EN 55024 IEC 61000-4-2, IEC 61000-4-3, IEC 61000-4-4, IEC 61000-4-5, IEC 61000-4-6, IEC 61000-4-8, IEC 61000-4-11 |
| 3-6. Safety compliance | IEC 60950-1 EN 60950-1 |
| 3-7. Environment compliance | RoHS compliant |

4. Form

| | |
|--------------------------------|---|
| 4-1. Form and materials/colors | Dimensions :44mm (Height) × 440mm (Width) × 257mm (Depth) (Excluding protruding sections) Case material :SECC Color : Main unit: Green 03, Front face: Black 03, Face plate label: Black 04 |
| 4-2. Mass (Weight) | 3,900g |

5. Hardware Specifications

| | | | | | | | |
|----------------|---|-----------|----------|------------|------------|-------------|------------|
| 5-1. Interface | <p>Twisted pair port 1-26 :RJ45 connector (*1)</p> <p>Transmitting and receiving network system:</p> <table> <tr> <td>IEEE802.3</td> <td>10BASE-T</td> </tr> <tr> <td>IEEE802.3u</td> <td>100BASE-TX</td> </tr> <tr> <td>IEEE802.3ab</td> <td>1000BASE-T</td> </tr> </table> <p>energy efficient Ethernet (*2) :IEEE802.3az(LPI)</p> <p>Transmission speed :10/100/1000Mbps, full/half duplex</p> <p>Compatible cable :Twisted pair cable (At least equivalent to EIA/TIA568 category 5e)</p> <p>Maximum transmission distance :100m</p> <p>Auto-Negotiation :Communication speed and full/half duplex are automatically recognized. The setting can be fixed to 10Mbps, 100Mbps, or 1000Mbps and full duplex or half duplex.</p> <p>Up to 30 W of power can be supplied to ports 1 to 24.</p> <p>*1 Embedded power saving mode detects the connection status automatically and saves power consumption to minimum.</p> <p>*2 Equipped with energy efficient Ethernet (EEE) conforming to IEEE802.3az (LPI). When there is no data transmission at link up, the energy-saving state automatically starts so that power consumption can be reduced on each port.</p> <p>SFP extension slot 25,26 SFF-8472 (DMI:Diagnostic Monitoring Interface) *Select either of RJ45 or SFP for use</p> <p>Optional Accessories :1000BASE-SX SFP Module (PN54021K-SG) 1000BASE-LX SFP Module (PN54023K-SG)</p> | IEEE802.3 | 10BASE-T | IEEE802.3u | 100BASE-TX | IEEE802.3ab | 1000BASE-T |
| IEEE802.3 | 10BASE-T | | | | | | |
| IEEE802.3u | 100BASE-TX | | | | | | |
| IEEE802.3ab | 1000BASE-T | | | | | | |

| | | |
|--------------|--------------|--|
| Date issued | July 4, 2016 | Panasonic Eco Solutions Networks Co., Ltd. |
| Date revised | | |

| | | | |
|------------|-------------------|-----------------------|-------------------|
| Model Name | Switch-M24eGLPWR+ | Product Specification | 401-28248-SG-SP01 |
| Model No. | PN28248-SG | | Page 3 of 10 |

5. Hardware Specifications

| | |
|-----------------------------------|---|
| 5-2. Switching mode | <p>Switching method :Store and Forward</p> <p>Switching capacity :52Gbps</p> <p>Packet transfer capability :Non-blocking Max 1,488,000pps/port (1000Mbps) Max 148,800pps/port (100Mbps) Max 14,880pps/port (10Mbps)</p> <p>MAC Address table :Max 8K entry/unit Automatic learning can be enabled/disabled for each port. Fixed registration is enabled.</p> <p>Buffer memory :512K Byte/unit</p> <p>Flow control :half-duplex Back pressure full-duplex IEEE802.3x</p> <p>Aging timeout :10 to 1,000,000 sec. (Default: 300 sec.)</p> <p>Jumbo frame supported :9KB</p> <p>Transmittable frames :EAP,BPDU</p> |
| 5-3. Terminal emulator connection | <p>Console port :RJ45 connector 1 port</p> <p>Transmission mode :RS-232C (ITU-TS V.24)</p> <p>Emulation mode :VT100</p> <p>Communication configuration :9,600bps, 8bit, None Parity control, Stop bit 1 bit</p> |
| 5-4. LED display | <p>(1) POWER (Power) LED Green Light :Power is ON Off :Power is OFF</p> <p>(2) STATUS/ECO LED (Status/ECO mode) Green Light :Operating in status mode. Green Blink :Operating in ECO mode. All port LEDs (left) are turned off. Orange Light :Starting Orange Blink:Malfunction (Contact the seller)</p> <p>(3) PoE LIM. LED (PoE limit) Off Supplying power in the range from 0 to 170 W. Green Light : Supplying power in the range from 170 to 185 W. Orange Blink : A single port's power supply is exceeding the upper limit, or the total power supply of the Switching Hub is exceeding 185 W.</p> <p>(4) FAN LED (Fan sensor) Green Light : System is operating normally. Orange Blink : Fan fault is occurring.</p> <p>(5) TEMP LED (Temperature sensor) Green Light : The system is normally operating. Orange Blink : The temperature exceeded the set threshold of the internal temperature sensor. Set threshold of the internal temperature sensor: 67°C (factory default)</p> <p>(6) LOOP HISTORY LED (Loop History mode) Green Light : Operating in Loop History mode. Green Blink : Loop is occurring, or occurred within the last 3 days.</p> |

| | | |
|--------------|--------------|--|
| Date issued | July 4, 2016 | Panasonic Eco Solutions Networks Co., Ltd. |
| Date revised | | |

| | | | |
|------------|-------------------|-----------------------|-------------------|
| Model Name | Switch-M24eGLPWR+ | Product Specification | 401-28248-SG-SP01 |
| Model No. | PN28248-SG | | Page 4 of 10 |

5. Hardware Specifications

| | |
|--------------------------|--|
| 5-4. LED display | <p>(7) Port LED (left)</p> <p>Green light (when the LOOP HISTORY LED lamp is off) : Link is established at 10/100/1000 Mbps.</p> <p>Green light (when the LOOP HISTORY lamp is flashing) : Within three days after a loop has been eliminated</p> <p>Green flashing : Data is being sent/received at 10/100/1000 Mbps.</p> <p>Orange light : Shut off by the loop detection/shutoff function</p> <p>Off : No terminal is connected or the ECO mode is set.</p> <p>(8) Port LED (right)</p> <p>Green light : Power is supplied normally. (Ports 1 to 24 only)</p> <p>Orange flashing : Overload power supply (ports 1 to 24 only) or overload in a single port.</p> <p>Off : Power is not supplied or PoE receiving equipment is not connected.</p> |
| | |
| 5-5. Cascade connections | Displays the Auto MDI/MDI-X function settings. Ports 1-24 are set to "Disable," and Ports 25-26 are set to "Enable" at factory default setting. |

6. Software Specifications

| | | | | | | | | | |
|----------------------------|--|---------------------|--------------------------------|--|-----------------|--|--|------------------------|----------------|
| 6-1. Configuration | Control parameters can be set by the following procedures: (1) Configuration from an asynchronous terminal connected to the console port. (2) Configuration from a remote terminal connected via TELNET and SSH (3) Configuration from a remote terminal via the Internet | | | | | | | | |
| 6-2. Switching Hub Control | Switching Hub can be controlled by the following procedures: (1) Control from an asynchronous terminal connected to the console port. (2) Control from a remote terminal using SSH/TELNET and TCP/IP network connection (3) Control using SNMP Manager The switching Hub operation status can be checked using the following functions. (1) Fan sensor function (2) Internal temperature sensor function (3) Function to display the CPU usage and memory usage (4) SFP module status checking function (DDM: Digital Diagnostic Monitoring) | | | | | | | | |
| 6-3. Rebooting | The system can be reset from the software in the following three modes: (1) Warm start (2) Reset to factory default (3) Reset items other than the IP address to factory default The reboot timer function can also be used in each mode. | | | | | | | | |
| 6-4. Supported Agent | <table border="0"> <tr> <td>Management protocol</td> <td>:SNMP v1/v2c (RFC1157,RFC1901)</td> </tr> <tr> <td></td> <td>TELNET (RFC854)</td> </tr> <tr> <td></td> <td>SSH v2 (RFC4251,RFC4252, RFC4253,RFC4254,RFC4716)</td> </tr> <tr> <td>Data transfer protocol</td> <td>:TFTP (RFC783)</td> </tr> </table> | Management protocol | :SNMP v1/v2c (RFC1157,RFC1901) | | TELNET (RFC854) | | SSH v2 (RFC4251,RFC4252, RFC4253,RFC4254,RFC4716) | Data transfer protocol | :TFTP (RFC783) |
| Management protocol | :SNMP v1/v2c (RFC1157,RFC1901) | | | | | | | | |
| | TELNET (RFC854) | | | | | | | | |
| | SSH v2 (RFC4251,RFC4252, RFC4253,RFC4254,RFC4716) | | | | | | | | |
| Data transfer protocol | :TFTP (RFC783) | | | | | | | | |

| | | |
|--------------|--------------|--|
| Date issued | July 4, 2016 | Panasonic Eco Solutions Networks Co., Ltd. |
| Date revised | | |

| | | | |
|------------|-------------------|-----------------------|-------------------|
| Model Name | Switch-M24eGLPWR+ | Product Specification | 401-28248-SG-SP01 |
| Model No. | PN28248-SG | | Page 5 of 10 |

6. Software Specifications

| | |
|---------------------|--|
| 6-5. Supported MIB | RFC1213-MIB (MIB II) (RFC 1213) SNMPv2-MIB (RFC 1907) IP-FORWARDING-MIB (RFC 2096) only IpCidrRouteTable RMON-MIB (RFC 2819) Group 1,2,3,9 BRIDGE-MIB (RFC 1493) P-BRIDGE-MIB (RFC 2674) Q-BRIDGE-MIB (RFC 2674) IF-MIB (RFC 2233) Other than IfTest Table RADIUS-AUTH-CLIENT- MIB (RFC 2618) POWER-ETHERNET-MIB (RFC 3621) deexSoppConfigTable, Other than dotlxSuppStatusTable IEEE8021-PAE-MIB (IEEE802.1X MIB) IEEE8023-LAG-MIB (IEEE802.3ad MIB) RSTP-MIB |
| 6-6. System log | Maximum number to be kept: 1,024 Transfers system logs to the Syslog server (IPv4) |
| 6-7. Loop detection | Turns on the port LED with a orange light when a loop occurs in the corresponding port. At this time, the relevant port automatically shuts down (default setting: 60 sec.) to prevent loop from occurring. During loop is occurring, or if loop has occurred within the latest 3 days, LOOP HISTORY LED blinks to notify this. · Loop detection setting Enabled (factory default setting) Enabled/disabled can be switched by configuring a setting using the console. The setting is kept even when the power is turned OFF. · Loop detection port Enabled: Ports 1 to 24 (factory default setting) Disabled: Ports 25 and 26 (factory default setting) · Loop shutoff time 60 to 86400 sec. (Factory default setting: 60 sec.) The set time Port LED lights up orange and the port shuts off. · Loop history retention time 3 days The LOOP HISTORY LED lamp flashes for three days. The Port LED lamp also remains lit for three days after the loop is eliminated. |
| 6-8. Others | Syslog Client (Transfers system logs to the Syslog server.) TFTP Client (Upgrades the software and saves/loads configuration information.) SNTP Client Login RADIUS (login authentication function by the RADIUS server) ZEQUO assist Plus PoE timer applications |

| | | |
|--------------|--------------|--|
| Date issued | July 4, 2016 | Panasonic Eco Solutions Networks Co., Ltd. |
| Date revised | | |

| | | | |
|------------|-------------------|-----------------------|-------------------|
| Model Name | Switch-M24eGLPWR+ | Product Specification | 401-28248-SG-SP01 |
| Model No. | PN28248-SG | | Page 6 of 10 |

7. Layer 2 Switching Functions

| | |
|--------------------------------|--|
| 7-1. Spanning Tree | IEEE 802.1w Spanning Tree Protocol, Rapid Spanning Tree Protocol |
| 7-2. VLAN | IEEE802.1Q Tag VLAN Protocol Port Base VLAN Number. of VLAN registrations: 256 (including default) Internet Mansion function |
| 7-3. Trunking | IEEE802.ad Link Aggregation function (LACP/Manual) Up to 8 groups can be created (up to 8 ports per group). |
| 7-4. Port Monitoring | Traffic of the target port can be copied to the specified port and transmitted. (Two or more target ports can be specified.) |
| 7-5. Multicast | IGMP Snooping (IGMP v1/v2) function Multicast filtering function |
| 7-6. QoS | IEEE802.1p Four levels of Priority Queue supported Scheduling Method: Priority Queuing (PQ:Strict priority queuing) Weighted Round Robin (WRR:Weighted round robin scheduling) DSCP Mapping function |
| 7-7. Authentication Function | IEEE802.1X Port-based authentication EAP Packet Forwarding function (Enable/disable EAP transmission can be specified for each port.) |
| 7-8. PoE power supply function | IEEE802.3at PoE power supply function. Up to 185 W of power can be supplied to ports 1 to 24 in total. (Maximum power supplied to a port: 30 W) Supply method :Alternative A(Cable signal lines 1, 2, 3, and 6 are used.) |
| 7-9. PoE scheduler function | PoE power supply control can be scheduled. The setting can be configured by the month, week, day or specific date. The maximum number of schedules to be registered: 32 |
| 7-10. Ring protocol | Redundancy is enabled by ring configuration. (Up to one group can be registered.) |

| | | |
|--------------|--------------|--|
| Date issued | July 4, 2016 | Panasonic Eco Solutions Networks Co., Ltd. |
| Date revised | | |

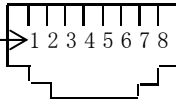
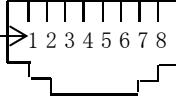
| | | | |
|------------|-------------------|-----------------------|-------------------|
| Model Name | Switch-M24eGLPWR+ | Product Specification | 401-28248-SG-SP01 |
| Model No. | PN28248-SG | | Page 7 of 10 |

8. WEB Browser-based Control (WEB control screen)

| | | | | | | | | | | | | | | | | | | | | | | | | | | | | | | | | | | | |
|--|--|------------------------------|------------------------------|--------------------------|-------------------|--------------------|-----------------------|--------------------|----------------|-------------------------------|-------------------|--------------------|----------------|--|-----------------------------|--------------------------|-------------------|--------------------|------------|--------------------------------|-----------------|-------------------------------|-----------------------------|-------------------|-----------------------------|-----------------------------|------------|------------------|-----------------------------------|--------------------|---------------|-------------------------------------|--|-----------------------------|--|
| 8-1. System Requirements | | | | | | | | | | | | | | | | | | | | | | | | | | | | | | | | | | | |
| 8-1-1. WEB Browser | Microsoft Internet Explorer 11 | | | | | | | | | | | | | | | | | | | | | | | | | | | | | | | | | | |
| 8-1-2. Runtime for Executing Java Applet | Java Runtime Environment (Ver. 1.4 and above) | | | | | | | | | | | | | | | | | | | | | | | | | | | | | | | | | | |
| 8-2. Configuration Function | | | | | | | | | | | | | | | | | | | | | | | | | | | | | | | | | | | |
| 8-2-1. Switch Configuration | <table border="0"> <tr> <td>Administration Configuration</td> <td>Loop Detection Configuration</td> </tr> <tr> <td>IP Address Configuration</td> <td>DDM Configuration</td> </tr> <tr> <td>SNMP Configuration</td> <td>RRP Domain Management</td> </tr> <tr> <td>Port Configuration</td> <td>Ping Execution</td> </tr> <tr> <td>System Security Configuration</td> <td>Exception Handler</td> </tr> <tr> <td>ID/Password Change</td> <td>Watchdog Timer</td> </tr> <tr> <td>Forwarding Database(FDB) Configuration</td> <td>IGMP Snooping Configuration</td> </tr> <tr> <td>Time(SNTP) Configuration</td> <td>PoE Configuration</td> </tr> <tr> <td>VLAN Configuration</td> <td>Statistics</td> </tr> <tr> <td>Link Aggregation Configuration</td> <td>Software Update</td> </tr> <tr> <td>Port Monitoring Configuration</td> <td>Configuration File Transfer</td> </tr> <tr> <td>QoS Configuration</td> <td>System Reboot Configuration</td> </tr> <tr> <td>Storm Control Configuration</td> <td>System Log</td> </tr> <tr> <td>Static ARP Table</td> <td>Syslog Transmission Configuration</td> </tr> <tr> <td>LLDP Configuration</td> <td>Save Settings</td> </tr> <tr> <td>802.1X Access Control Configuration</td> <td></td> </tr> <tr> <td>Spanning Tree Configuration</td> <td></td> </tr> </table> | Administration Configuration | Loop Detection Configuration | IP Address Configuration | DDM Configuration | SNMP Configuration | RRP Domain Management | Port Configuration | Ping Execution | System Security Configuration | Exception Handler | ID/Password Change | Watchdog Timer | Forwarding Database(FDB) Configuration | IGMP Snooping Configuration | Time(SNTP) Configuration | PoE Configuration | VLAN Configuration | Statistics | Link Aggregation Configuration | Software Update | Port Monitoring Configuration | Configuration File Transfer | QoS Configuration | System Reboot Configuration | Storm Control Configuration | System Log | Static ARP Table | Syslog Transmission Configuration | LLDP Configuration | Save Settings | 802.1X Access Control Configuration | | Spanning Tree Configuration | |
| Administration Configuration | Loop Detection Configuration | | | | | | | | | | | | | | | | | | | | | | | | | | | | | | | | | | |
| IP Address Configuration | DDM Configuration | | | | | | | | | | | | | | | | | | | | | | | | | | | | | | | | | | |
| SNMP Configuration | RRP Domain Management | | | | | | | | | | | | | | | | | | | | | | | | | | | | | | | | | | |
| Port Configuration | Ping Execution | | | | | | | | | | | | | | | | | | | | | | | | | | | | | | | | | | |
| System Security Configuration | Exception Handler | | | | | | | | | | | | | | | | | | | | | | | | | | | | | | | | | | |
| ID/Password Change | Watchdog Timer | | | | | | | | | | | | | | | | | | | | | | | | | | | | | | | | | | |
| Forwarding Database(FDB) Configuration | IGMP Snooping Configuration | | | | | | | | | | | | | | | | | | | | | | | | | | | | | | | | | | |
| Time(SNTP) Configuration | PoE Configuration | | | | | | | | | | | | | | | | | | | | | | | | | | | | | | | | | | |
| VLAN Configuration | Statistics | | | | | | | | | | | | | | | | | | | | | | | | | | | | | | | | | | |
| Link Aggregation Configuration | Software Update | | | | | | | | | | | | | | | | | | | | | | | | | | | | | | | | | | |
| Port Monitoring Configuration | Configuration File Transfer | | | | | | | | | | | | | | | | | | | | | | | | | | | | | | | | | | |
| QoS Configuration | System Reboot Configuration | | | | | | | | | | | | | | | | | | | | | | | | | | | | | | | | | | |
| Storm Control Configuration | System Log | | | | | | | | | | | | | | | | | | | | | | | | | | | | | | | | | | |
| Static ARP Table | Syslog Transmission Configuration | | | | | | | | | | | | | | | | | | | | | | | | | | | | | | | | | | |
| LLDP Configuration | Save Settings | | | | | | | | | | | | | | | | | | | | | | | | | | | | | | | | | | |
| 802.1X Access Control Configuration | | | | | | | | | | | | | | | | | | | | | | | | | | | | | | | | | | | |
| Spanning Tree Configuration | | | | | | | | | | | | | | | | | | | | | | | | | | | | | | | | | | | |
| 8-2-2. Time Configuration | SNTP Setting | | | | | | | | | | | | | | | | | | | | | | | | | | | | | | | | | | |
| 8-3. Monitoring Configuration | | | | | | | | | | | | | | | | | | | | | | | | | | | | | | | | | | | |
| 8-3-1. General Information | System Information Setting : Display of detailed description (sysDescr) Display of contact (sysContact) Display of installation location (sysLocation) Display of host name (sysName) | | | | | | | | | | | | | | | | | | | | | | | | | | | | | | | | | | |

| | | |
|--------------|--------------|--|
| Date issued | July 4, 2016 | Panasonic Eco Solutions Networks Co., Ltd. |
| Date revised | | |

9. Connector Pin Arrangement

| | | | | | | | | | | |
|-------------------|---------|---------|--------|--------|--------|--------|--------|--------|--------|---|
| 9-1. Port 1 - 26 | | | | | | | | | |  |
| Status | Pin No. | 1 | 2 | 3 | 6 | 4 | 5 | 7 | 8 | |
| MDI-X | Signal | BL_DB+ | BL_DB- | BL_DA+ | BL_DA- | BL_DD+ | BL_DD- | BL_DC+ | BL_DC- | |
| MDI | Signal | BL_DA+ | BL_DA- | BL_DB+ | BL_DB- | BL_DC+ | BL_DC- | BL_DD+ | BL_DD- | |
| 9-2. Console port | | | | | | | | | |  |
| Pin No. | Signal | Pin No. | Signal | | | | | | | |
| 1 | NC | 5 | GND | | | | | | | |
| 2 | NC | 6 | RXD | | | | | | | |
| 3 | TXD | 7 | NC | | | | | | | |
| 4 | GND | 8 | NC | | | | | | | |

10. Installation Procedures and Accessories

| | | | | | | | | | | | | | | | |
|---|---|------------------------|----|------------|----|-----------------|----|---|----|------------------------------|----|---|----|----------------------------|----|
| 10-1. Installation Procedures | Mounting to rack | | | | | | | | | | | | | | |
| 10-2. Accessories | <table style="width:100%; border-collapse: collapse;"> <tr><td>(1) Installation Guide</td><td style="text-align: right;">:1</td></tr> <tr><td>(2) CD-ROM</td><td style="text-align: right;">:1</td></tr> <tr><td>(3) Rubber foot</td><td style="text-align: right;">:4</td></tr> <tr><td>(4) Mounting bracket (for 19-inch rack)</td><td style="text-align: right;">:2</td></tr> <tr><td>(5) Screw (for 19-inch rack)</td><td style="text-align: right;">:4</td></tr> <tr><td>(6) Screw (for fixing the main unit and the 19 inch rack mount bracket)</td><td style="text-align: right;">:8</td></tr> <tr><td>(7) Power cord (BS1363)(*)</td><td style="text-align: right;">:1</td></tr> </table> <p style="font-size: small;">* The attached power cord is dedicated for AC 100 - 240 V use.</p> | (1) Installation Guide | :1 | (2) CD-ROM | :1 | (3) Rubber foot | :4 | (4) Mounting bracket (for 19-inch rack) | :2 | (5) Screw (for 19-inch rack) | :4 | (6) Screw (for fixing the main unit and the 19 inch rack mount bracket) | :8 | (7) Power cord (BS1363)(*) | :1 |
| (1) Installation Guide | :1 | | | | | | | | | | | | | | |
| (2) CD-ROM | :1 | | | | | | | | | | | | | | |
| (3) Rubber foot | :4 | | | | | | | | | | | | | | |
| (4) Mounting bracket (for 19-inch rack) | :2 | | | | | | | | | | | | | | |
| (5) Screw (for 19-inch rack) | :4 | | | | | | | | | | | | | | |
| (6) Screw (for fixing the main unit and the 19 inch rack mount bracket) | :8 | | | | | | | | | | | | | | |
| (7) Power cord (BS1363)(*) | :1 | | | | | | | | | | | | | | |

11. Optional Accessories

| | | | | | | | | | | | | | | | | | | | |
|---|--|--|--|-----------|-------------------------|--------------------|------------------------|------------------|--------------|--|-----------------------------|--|------------------------------|-------------------------------|------------------------------|-------------------------------|---------------------------------------|--|-------------------------------------|
| 11-1. 1000BASE-SX SFP Module (Model No. :PN54021K-SG) | <table style="width:100%; border-collapse: collapse;"> <tr><td colspan="2">Fiber optic port connector type :LC connector (Duplex)</td></tr> <tr><td>Standards</td><td>:IEEE802.3z 1000BASE-SX</td></tr> <tr><td>Transmission speed</td><td>:1000Mbps, full duplex</td></tr> <tr><td>Compatible cable</td><td>:Fiber cable</td></tr> <tr><td></td><td>50/125 μm Multi Mode Fiber</td></tr> <tr><td></td><td>62.5/125 μm Multi Mode Fiber</td></tr> <tr><td>Maximum transmission distance</td><td>:550 m at 50/125 μm</td></tr> <tr><td></td><td>220 m at 62.5/125 μm</td></tr> </table> | Fiber optic port connector type :LC connector (Duplex) | | Standards | :IEEE802.3z 1000BASE-SX | Transmission speed | :1000Mbps, full duplex | Compatible cable | :Fiber cable | | 50/125 μm Multi Mode Fiber | | 62.5/125 μm Multi Mode Fiber | Maximum transmission distance | :550 m at 50/125 μm | | 220 m at 62.5/125 μm | | |
| Fiber optic port connector type :LC connector (Duplex) | | | | | | | | | | | | | | | | | | | |
| Standards | :IEEE802.3z 1000BASE-SX | | | | | | | | | | | | | | | | | | |
| Transmission speed | :1000Mbps, full duplex | | | | | | | | | | | | | | | | | | |
| Compatible cable | :Fiber cable | | | | | | | | | | | | | | | | | | |
| | 50/125 μm Multi Mode Fiber | | | | | | | | | | | | | | | | | | |
| | 62.5/125 μm Multi Mode Fiber | | | | | | | | | | | | | | | | | | |
| Maximum transmission distance | :550 m at 50/125 μm | | | | | | | | | | | | | | | | | | |
| | 220 m at 62.5/125 μm | | | | | | | | | | | | | | | | | | |
| 11-2. 1000BASE-LX SFP Module (Model No.:PN54023K-SG) | <table style="width:100%; border-collapse: collapse;"> <tr><td colspan="2">Fiber optic port connector type :LC connector (Duplex)</td></tr> <tr><td>Standards</td><td>:IEEE802.3z 1000BASE-LX</td></tr> <tr><td>Transmission speed</td><td>:1000Mbps, full duplex</td></tr> <tr><td>Compatible cable</td><td>:Fiber cable</td></tr> <tr><td></td><td>10/125 μm Single Mode Fiber</td></tr> <tr><td></td><td>50/125 μm Multi Mode Fiber</td></tr> <tr><td></td><td>62.5/125 μm Multi Mode Fiber</td></tr> <tr><td>Maximum transmission distance</td><td>:10 km when Single Mode Fiber is used</td></tr> <tr><td></td><td>550 m when Multi Mode Fiber is used</td></tr> </table> | Fiber optic port connector type :LC connector (Duplex) | | Standards | :IEEE802.3z 1000BASE-LX | Transmission speed | :1000Mbps, full duplex | Compatible cable | :Fiber cable | | 10/125 μm Single Mode Fiber | | 50/125 μm Multi Mode Fiber | | 62.5/125 μm Multi Mode Fiber | Maximum transmission distance | :10 km when Single Mode Fiber is used | | 550 m when Multi Mode Fiber is used |
| Fiber optic port connector type :LC connector (Duplex) | | | | | | | | | | | | | | | | | | | |
| Standards | :IEEE802.3z 1000BASE-LX | | | | | | | | | | | | | | | | | | |
| Transmission speed | :1000Mbps, full duplex | | | | | | | | | | | | | | | | | | |
| Compatible cable | :Fiber cable | | | | | | | | | | | | | | | | | | |
| | 10/125 μm Single Mode Fiber | | | | | | | | | | | | | | | | | | |
| | 50/125 μm Multi Mode Fiber | | | | | | | | | | | | | | | | | | |
| | 62.5/125 μm Multi Mode Fiber | | | | | | | | | | | | | | | | | | |
| Maximum transmission distance | :10 km when Single Mode Fiber is used | | | | | | | | | | | | | | | | | | |
| | 550 m when Multi Mode Fiber is used | | | | | | | | | | | | | | | | | | |

| | | | |
|------------|-------------------|-----------------------|-------------------|
| Model Name | Switch-M24eGLPWR+ | Product Specification | 401-28248-SG-SP01 |
| Model No. | PN28248-SG | | Page 9 of 10 |

12. Prohibitions when Using the Product to Guarantee Safety

The manufacturer assumes no responsibility for any problems occurring when the following conditions are not satisfied. Observe the following items when using the product.

- (1) Do not use power supply other than AC 100 - 240 V.
Deviation could lead to fire, electric shock, and/or equipment failure.
- (2) Do not handle the power cord with wet hand.
Deviation could lead to electric shock, and/or equipment failure.
- (3) Do not handle this Switching Hub and connection cables during a thunderstorm.
Deviation could lead to electric shock.
- (4) Do not disassemble and/or modify this Switching Hub.
Deviation could lead to fire, electric shock, and/or equipment failure.
- (5) Do not damage the power cord. Do not bend too tightly, stretch, twist, bundle with other cord, pinch, put under a heavy object and/or heat it.
Damaged power cord could lead to fire, short, and/or electric shock.
- (6) Do not unplug nor plug in the power plug with wet hands.
Deviation could lead to electrical shock, and/or equipment failure.
- (7) Do not insert nor drop any foreign objects such as metal or readily combustible things into the inside through the openings.
Deviation could lead to fire, electrical shock, and/or equipment failure.
- (8) Do not store or use the Switching Hub in places where it might get splashed with liquids such as water, in places with a lot of humidity, in places with conductive dust, or in places where there are corrosive and combustible gases.
Deviation could lead to fire, electrical shock, and/or equipment failure.
- (9) Do not store or use the Switching Hub in places where it will be exposed to direct sunlight or high temperatures.
The temperature inside will rise, which may cause fire.
- (10) Do not store or use the Switching Hub in places where there are lots of vibrations and impacts, or in unstable areas.
It might fall, which may cause injuries and/or equipment failure.
- (11) Do not put the Switching Hub into fire.
Deviation could lead to explosion and/or fire.
- (12) Do not insert nor drop any foreign objects such as metal or readily combustible things into the inside through the openings, twisted pair ports, console ports, SFP extension slots.
Deviation could lead to fire, electrical shock, and/or equipment failure.

| | | |
|--------------|--------------|--|
| Date issued | July 4, 2016 | Panasonic Eco Solutions Networks Co., Ltd. |
| Date revised | | |

| | | | |
|------------|-------------------|-----------------------|-------------------|
| Model Name | Switch-M24eGLPWR+ | Product Specification | 401-28248-SG-SP01 |
| Model No. | PN28248-SG | | Page 10 of 10 |

14. Basic Instructions for the Use of This Product

- (1) Handle the Switching Hub carefully so that fingers or hands may not be damaged by twisted pair port, SFP extension slot, console port, or power cord hook block.
- (2) Do not connect any other devices except for 10BASE-T/100BASE-TX/1000BASE-T devices to the twisted pair ports.
Deviation could lead to equipment failure.
- (3) Do not insert any other modules except for the our optional SFP module (PN54021K/PN54023K) to the SFP extension slots.
- (4) Unplug the power plug when there is a malfunction.
Deviation could lead to fire if the power is allowed to be supplied for extended periods of time.
- (5) Be sure to connect the ground cable.
Otherwise this might cause electrical shocks, misoperations and malfunctions.
Connect the Switching Hub via the supplied power cord to the outlet which is connected to the ground.
If the outlet is not connected to a ground, connect the ground cable to the ground terminal screw.
- (6) Use the bundled power cord (AC 100 - 240 V specifications).
Deviation could lead to electric shock, malfunction, and/or equipment failure.
- (7) Unplug the power cord in case of equipment failure.
Deviation, such as keeping connected for a long time, could lead to fire.
- (8) Connect this Switching Hub to ground.
Deviation could lead to electric shock, malfunction, and/or equipment failure.
- (9) Connect the power cord firmly to the power port.
Deviation could lead to electric fire, shock, and/or malfunction.
- (10) Unplug the power cord if the STATUS LED blinks in orange (system fault).
Deviation, such as keeping connected for a long time, could lead to fire.
- (11) This Switching Hub is to be periodically serviced in order to maintain its performance.
Please choose a product administrator, and have them be sure to implement periodic maintenance. When doing maintenance, check the inspection chart that is posted on our website which has the requisite items listed on it.
- (12) When using this Switching Hub to design systems, use it after applying appropriate measures such as setting up redundant configurations.
Communications failures might be generated due to causes such as malfunctions or misoperations while the Switching Hub is being used.
- (13) When using this Switching Hub for applications which require extremely high reliability, be careful to expend all possible means to ensure safety and reliability.
This Switching Hub was not designed nor manufactured with the intention that it be used for applications (in use with railways, aviation, and medical care, etc. whereas the influence rate due to communications failures is extremely high in regard to systems that directly affect systems and human lives) which require extremely high reliability.
- (14) It is strongly recommended that a lightning arrester (SPD) be installed on the twisted pair port side and the power supply side of this Switching Hub.
Malfunctions might be caused due to overcurrent and overvoltage due to the effects of lightning strikes.
- (15) It is recommended that this Switching Hub be replaced about five years after it has been installed.
This may vary depending upon conditions such as utilisation rates and usage environments, but performance might decrease due to the age-related degradation, etc. of components.
- (16) Be careful in regards to environmental restrictions whereby the Switching Hub can be used.
Please isolate the business power lines and communications lines. Isolate distribution lines and other distribution lines, and low current power lines, optical fiber cables, metallic water conduits, and gas conduits, etc. Noise may be generated in the communications lines which might cause communications glitches.

| | | |
|--------------|--------------|--|
| Date issued | July 4, 2016 | Panasonic Eco Solutions Networks Co., Ltd. |
| Date revised | | |