

Installation Guide

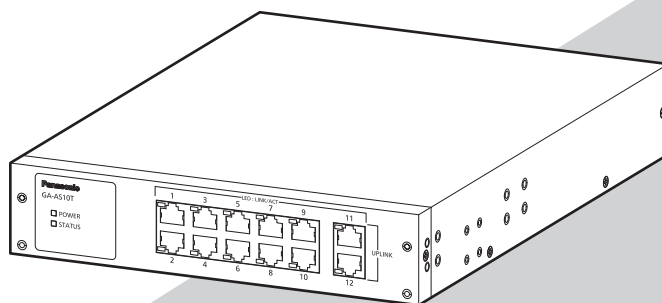
GA-AS10T

Model No. PN25101-TH
PN25101-MY
PN25101-ID
PN25101-SG

- Thank you for purchasing our product.
- This document provides important information about safe and proper operations of this Ethernet Switch.
- Please read the **"Important Safety Instructions"** on pages from 3 to 5.
- Any problems or damages resulting from disassembly of this Ethernet Switch by customers are not covered by the warranty.
- The instruction manuals (Web Version), latest firmware and SDN application (ZEQUO assist Plus) can be downloaded from the following URL.



<https://panasonic.co.jp/ew/pewnw/english/datadownload/index.html>



Contents

Important Safety Instructions	3
Basic Instructions for the Use of This Product	6
1 Product Outline	7
1.1 Features	7
1.2 Specifications	8
1.3 Accessories	9
1.4 Basic operation	9
2 Part Names and Functions	10
3 Installation and Configuration	12
3.1 Grounding Cable Connection	12
3.2 Mounting to rack	13
3.3 Mounting on a wall	14
3.4 Configuration of IP address (Basic)	15
Troubleshooting	17

Important Safety Instructions

This chapter contains important safety instructions for preventing bodily injury and/or property damage. Please read carefully, and follow them at all times.

- Severity of bodily injury and/or property damage, which could result from incorrect use of the Ethernet Switch, are explained below.



WARNING

This symbol indicates a potential hazard that could result in serious injury or death.



CAUTION

This symbol indicates safety instructions. Deviation from these instructions could lead to bodily injury and/or property damage.

- The following symbols are used to classify and describe the type of instructions to be observed.



This symbol is used to alert users what they must not do.



This symbol is used to alert users what they must do.



WARNING



- Do not use power supply other than AC 100 - 240 V.
Deviation could lead to fire, electric shock, and/or equipment failure.
- Do not handle the power cord with wet hand.
Deviation could lead to electric shock, and/or equipment failure.
- Do not handle this Ethernet Switch and connection cables during a thunderstorm.
Deviation could lead to electric shock.
- Do not disassemble and/or modify this Ethernet Switch.
Deviation could lead to fire, electric shock, and/or equipment failure.
- Do not damage the power cord. Do not bend too tightly, stretch, twist, bundle with other cord, pinch, put under a heavy object and/or heat it.
Damaged power cord could lead to fire, and/or electric shock.
- Do not insert, or drop foreign objects such as metal or combustible things into Ethernet Switch from the openings or twisted pair ports.
Deviation could lead to fire, electric shock, and/or equipment failure.
- Do not connect equipments other than 10BASE-T/100BASE-TX/1000BASE-T to twisted pair port.
When connecting to a 10BASE-T device, use a Cat5 or above cable.
Deviation could lead to fire, electric shock, and/or equipment failure.
- Do not place this Ethernet Switch in harsh environment (such as near water, high humid, and/or high dust).
Deviation could lead to fire, electric shock, and/or equipment failure.
- Do not place this Ethernet Switch under direct sunlight and/or high temperature.
Deviation could lead to high internal temperature and fire.

WARNING



- **Do not install this Ethernet Switch at the location with continuous vibration or strong shock, or at the unstable location.**
Deviation could lead to falling, injury and/or equipment failure.
- **Do not put this Ethernet Switch into fire.**
Deviation could lead to explosion and/or fire.

CAUTION



- **Use the bundled power cord (AC 100 – 240 V specifications).**
Deviation could lead to electric shock, malfunction, and/or equipment failure.
- **Unplug the power cord in case of equipment failure.**
Deviation, such as keep connecting for a long time, could lead to fire.
- **Connect this Ethernet Switch to ground.**
Otherwise this might cause electrical shocks, misoperations and malfunctions.
Connect the Ethernet Switch via the supplied power cord to the outlet which is connected to the ground.
If the outlet is not connected to a ground, connect the ground cable (AWG18: green/yellow) to the ground terminal screw.
- **Connect the power cord firmly to the power port.**
Deviation could lead to electric fire, shock, and/or malfunction.
- **If the STATUS (Status) LED blinks orange, unplug the power cord since this is a malfunction.**
Deviation, such as keep connecting for a long time, could lead to fire.
- **Handle the Ethernet Switch carefully so that fingers or hands may not be damaged by twisted pair port or power cord hook block.**
- **When mounting the Ethernet Switch on a wall, mount it securely using wall mount brackets (PN71053, optional) to prevent the Ethernet Switch from falling due its weight and that of the connection cables.**
Injuries and/or malfunctions could be caused due to the Ethernet Switch falling, etc.
- **Up to two Ethernet Switches can be connected. When connecting two Ethernet Switches, use connection brackets and screws (for fixing the connection brackets) supplied with 19-inch rack mount brackets (two coupled units)(PN71052, optional) to securely fix the connection brackets to the connection screw holes on the front and back panels, and then install the Ethernet Switches. If the Ethernet Switch is not fixed securely, injuries and/or malfunctions could be caused due to the Ethernet Switch falling, etc.**
- **Double pole / Neutral fusing**
- **This Ethernet Switch is to be periodically serviced in order to maintain its performance.**
Please assign a product administrator, and be sure to implement periodic maintenance. When doing maintenance, check the inspection chart that is posted on our website which has the requisite items listed on it.

CAUTION



- **When using this Ethernet Switch to design systems, use it after applying appropriate measures such as setting up redundant configurations.**

Communication failures might be generated due to causes such as malfunctions or misoperations while the Ethernet Switch is being used.

- **When using this Ethernet Switch for applications which require extremely high reliability, be careful to expend all possible means to ensure safety and reliability.**

This Ethernet Switch was not designed nor manufactured with the intention that it be used for applications (in use with railways, aviation, and medical care, etc. where the influence rate due to communication failures is extremely high in regard to systems that directly affect systems and human lives) which require extremely high reliability.

- **Be aware of glitches which are caused in the usage environments such as age-related degradation, etc.**

This may vary depending upon conditions such as utilisation rates and usage environments, but performance might decrease due to the age-related degradation, etc. of components. It is recommended that this Ethernet Switch be replaced about five years after it has been installed.

- **Be careful in regards to environmental restrictions whereby the Ethernet Switch can be used.**

Please isolate the business power lines and communication lines. Isolate distribution lines and other distribution lines, and low current power lines, optical fiber cables, metallic water conduits, and gas conduits, etc. Noise may be generated in the communication lines which might cause communication glitches.

Basic Instructions for the Use of This Product

- For inspection and/or repair, consult the retailer.
- Use commercial power supply from a wall socket, which is close and easily accessible to this Ethernet Switch.
- Unplug the power cord when installing or moving this Ethernet Switch.
- Unplug the power cord when cleaning this Ethernet Switch.
- Use this Ethernet Switch within the specifications. Deviation could lead to malfunction.
- Do not touch the twisted pair cable modular metal terminals which are connected to RJ45 connectors (twisted pair ports) or the connectors, nor place them near electrically-charged objects. Static electricity could lead to equipment failure.
- Do not put the modular plug of the connected twisted pair cable on objects that can carry static charge, such as carpet. Do not place it in the proximity. Static electricity could lead to equipment failure.
- Do not put a strong shock, including dropping, to this Ethernet Switch. Deviation could lead to equipment failure.
- Do not store and/or use this Ethernet Switch in the environment with the characteristics listed below.
(Store and/or use this Ethernet Switch in the environment in accordance with the specification.)
 - High humidity. Possible spilled liquid (water).
 - Dusty. Possible static charge (such as carpet).
 - Under direct sunlight.
 - Possible condensation. High/low temperature exceeding the specifications environment.
 - Strong vibration and/or strong shock.
- Please use this Ethernet Switch in place where ambient temperature is from 0 to 50°C. Failure to satisfy the conditions above may result in a fire, electric shock, equipment failure, and/or malfunction. Such events are not covered by the warranty.
Do not block the ventilator of the Ethernet Switch.
Blocked ventilator induces the heat accumulation inside, causing equipment failure and/or malfunction.
- If used at a temperature out of the operating temperature range, the protection equipment becomes activated and the power supply stops.
- When using two Ethernet Switches, do not stack them. When you place them side by side, allow for a space of 20 mm or more between them.

1. Please note that Panasonic shall not bear any liability whatsoever for any damages (this shall include, but is not limited to, lost earnings, lost opportunities, etc.) which were generated in relation to damages caused by operations and usage, or the inability to use this Ethernet Switch, whereby the customer does not follow this Installation Guide.
2. The contents described in this document may be changed without prior notice. For the latest version, please refer to the Panasonic website.
3. For any question, please contact the retailer where you purchased the product.

1 Product Outline

GA-AS10T has 12 ports which are 10BASE-T/100BASE-TX/1000BASE-T compatible ports.

1.1 Features

- Ports 1 to 12 (twisted pair ports) are 10BASE-T/100BASE-TX/1000BASE-T corresponding to auto-negotiation.
- All of the twisted pair ports are equipped with straight/cross cable automatic detection functions. Straight cables can be used to make interconnections without distinctions between the terminals and network devices having to be made. (The factory default is for ports 1 to 10 to have MDI-X be fixed.)
- If equipped with IEEE802.3az (LPI) compatible Energy Efficient Ethernet functions (hereinafter EEE), and if data is transmitted when linked up, the energy efficient state will be moved to, whereas each port can suppress power consumption.
- Automatically detects the connection states via the equipped energy efficiency mode, and suppresses power consumption to required levels.
- VLAN function allows free grouping of up to 256 VLANs.
- The IEEE802.1p compatible QoS function is supported.
- Has an Internet Mansion function, which ensures security between each door.
- As a factory default, IP address in this Ethernet Switch is not assigned to the device. The address can be changed by connecting this Ethernet Switch to your PC using twisted pair cable, if your PC has ZEQUO assist plus installed on it (ZEQUO assist plus is downloadable from Panasonic's website.)

1 Product Outline

1.2 Specifications

Interface	Twisted pair port 1–12: RJ45 connector Transmitting and receiving network system IEEE 802.3 10BASE-T IEEE 802.3u 100BASE-TX IEEE802.3ab 1000BASE-T Energy Efficient Ethernet function IEEE 802.3az (LP1)
Switching mode	Store and Forward method: Forwarding rate 10BASE-T: Max. 14,880 pps/port 100BASE-TX: Max. 148,800 pps/port 1000BASE-T: Max. 1,488,000 pps/port MAC Address table: Max. 8K entry/unit Buffer: 512MByte
Link Aggregation	IEEE802.3ad Configurable up to 6 groups (Max. 8 ports per group)
VLAN	IEEE802.1Q tagging VLAN protocol compatible (Max. 256 groups including the default VLAN) Port based VLAN, Internet Mansion function
QoS	IEEE802.1p compatible, Supports 4 priority queues
Management method	WEB control screen, ZEQUO assist Plus
Others	Port Monitoring, Storm control
Power supply	AC 100–240V, 50/60 Hz, 0.7 A
Power consumption	Normally, Max. 7.6 W, Min. 3.3 W
Operating environment	Temperature: 0–50°C, Humidity: 20–80% RH (no condensation) Caution: Failure to meet the above conditions may result in fire, electric shock, breakdown, and/or malfunction. Please take notice because such cases are not covered by the guarantee.
Storage environment	Temperature: -20–70°C, Humidity: 10–90% RH (no condensation)
Fan	Not installed
External dimensions	44 mm (Height) × 210 mm (Width) × 280 mm (Depth) (Excluding protruding sections)
Mass (Weight)	1,800 g

1.3 Accessories

Please be sure to confirm the content.

Please contact our distributor if any of the contents are insufficient.

	Quantity
● Installation Guide (this document)	1 (*)
● Rubber foot	4
● Power cord	1

* Just the PN25101-TH has 1 Installation Guide in Thai (a total of 2 guides).

[Power Cord]

The following power cords are supplied as per the intended nation of delivery.

Product Number	Locale	Power Cord Rating	FUSE Rated Current	Plug Type
PN25101-TH	Thailand	250 VAC 6 A	-	TIS166-2549
PN25101-MY	Malaysia	250 VAC 10 A	13 A	BS1363
PN25101-ID	Indonesia	250 VAC 10 A	-	CEE7/7
PN25101-SG	Singapore	250 VAC 5 A	5 A	BS1363

1.4 Basic operation

This Product does not have a power ON/OFF switch. Connect the supplied power cord to this Ethernet Switch and connect the other end into an electric outlet.

This Ethernet Switch operates at AC 100 - 240 V (50/60 Hz).

When power is supplied, all the LEDs are turned ON.

Subsequently, the POWER (power) LED lights up green, and the STATUS (status) LED lights up orange and the hardware runs a self-diagnostic.

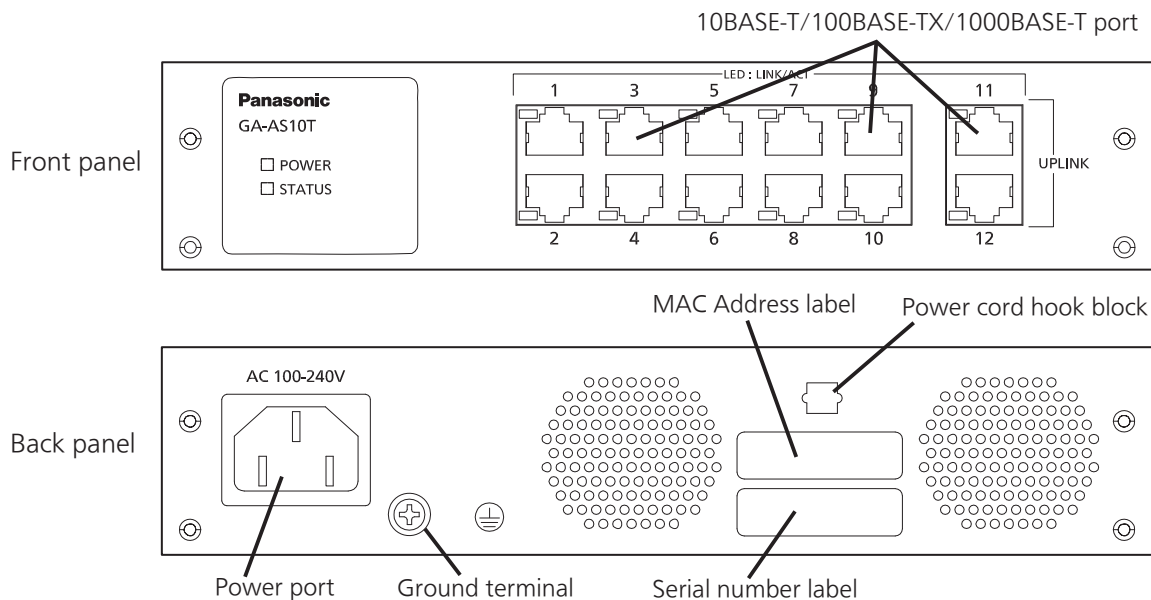
When it is finished, both the the POWER (power) LED and STATUS (status) LED light up green, and it operates as a Ethernet Switch.

As this Ethernet Switch succeeds in communicating with a terminal connected to each port, LED of the port lights up.

When the terminal is not operating normally, for example when power is not supplied to the terminal, LED is not lighted.

*** For configuration and management method, please see the PDF version Operating Instructions on Panasonic's website.**

2 Part Names and Functions



- **Power port**

Connect the supplied power cord to this port and connect the other end into an electric outlet.

- **Power cord hook block**

If the supplied power cord is hanged to this block, the cord becomes hard to pull out from the power port.

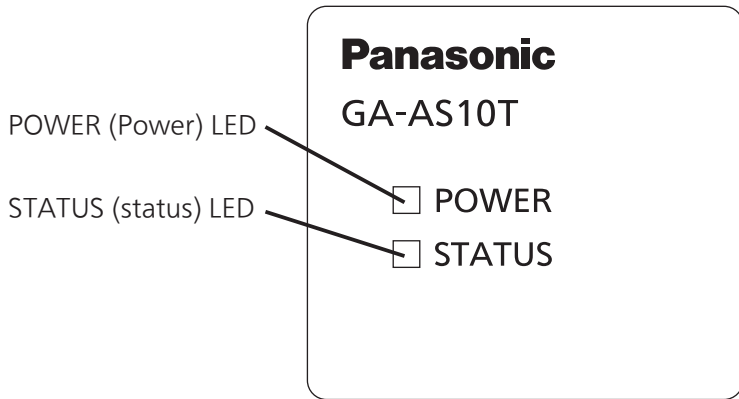
- **Ground terminal**

Connect the ground cable (AWG18: green/yellow) to the ground terminal screw.

- **10BASE-T/100BASE-TX/1000BASE-T port (ports 1–12)**

Connect 10BASE-T/100BASE-TX/1000BASE-T terminals, hubs, repeaters, bridges, and Ethernet Switches.

Install the device so that the length of the twisted pair cables (CAT5e or above) will be 100 m or less.



● **POWER (Power) LED**

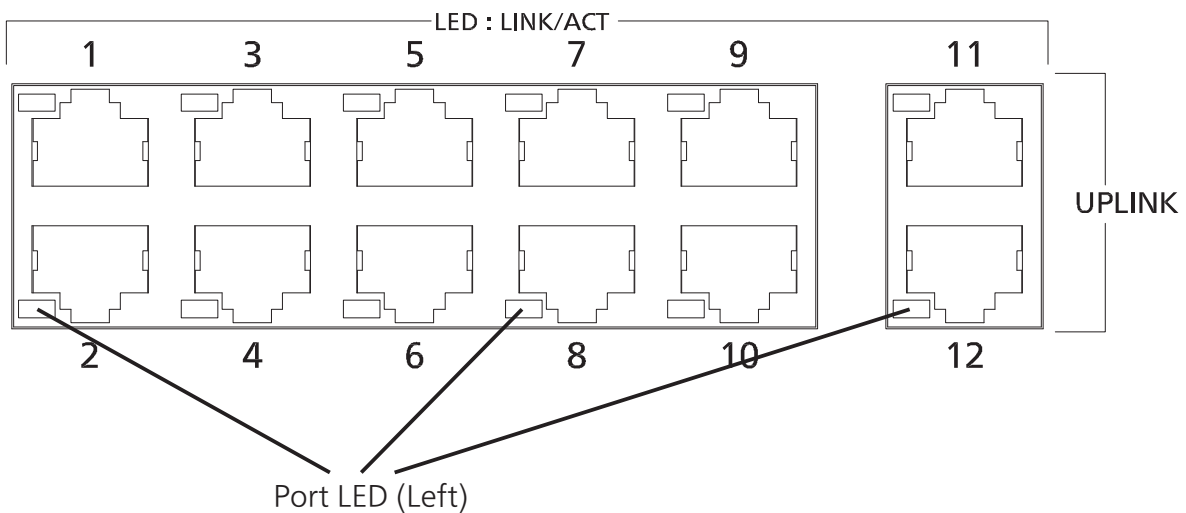
Green Light : Power is ON.
Off : Power is OFF.

● **STATUS (status) LED**

Green Light : System is normally operating
Green Blink : After powering on, and the system startup is completed, blinks for five minutes
Orange Light : System is starting up
Orange Blink : System is malfunctioning

● **Port LED (Left)**

LINK/ACT (ports 1 - 12) LED
Green Light : Link is established.
Green Blink : Data is being sent/received.
Off : No terminal is connected.

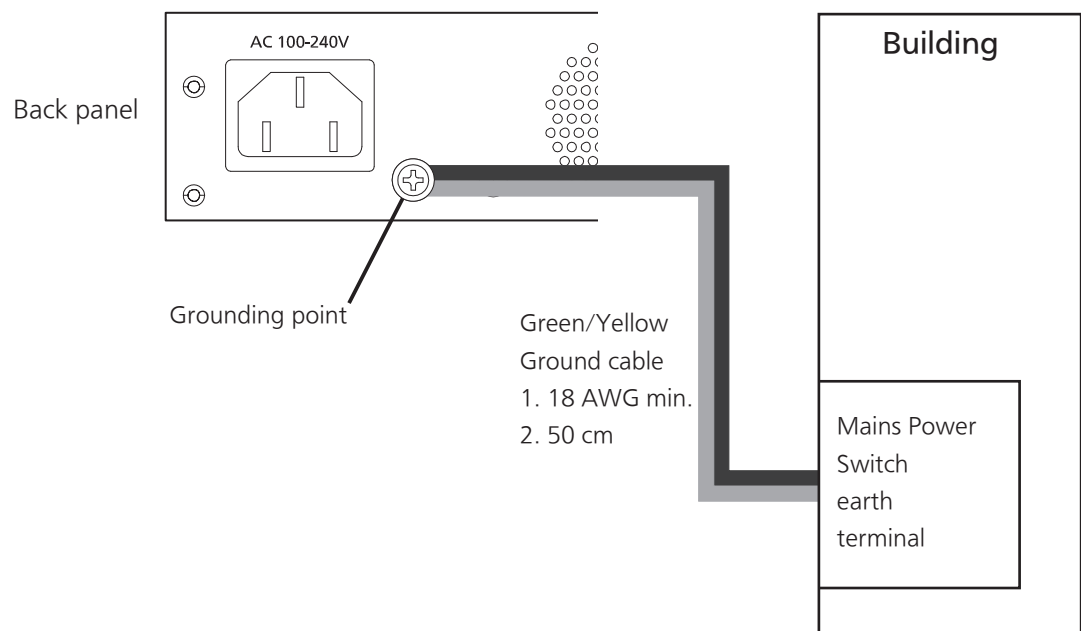


3 Installation and Configuration

3.1 Grounding Cable Connection

The chassis of the equipment must be grounded properly so that the lightning can flow to the ground, which improves the capability of the chassis for resisting the electromagnetic interference.

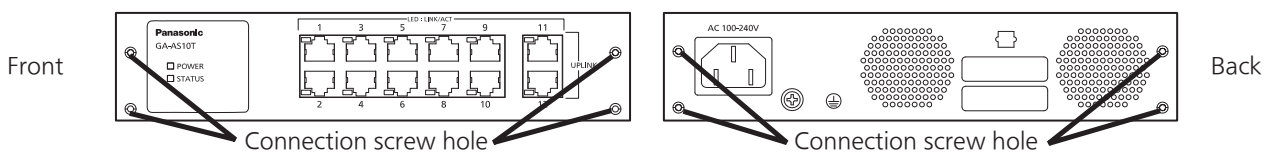
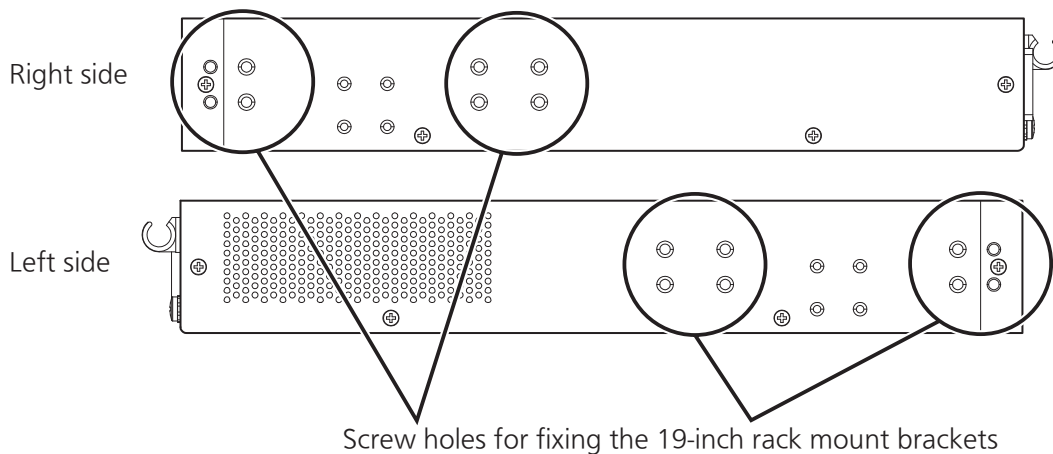
1. Ensure that the grounding cable is connected correctly so that the equipment is protected against lightning and interference. The correct connection of the grounding cable is an important measure to ensure the human safety.
2. Connect the chassis to the ground by using a grounding cable. The grounding resistance must be smaller than 0.10 ohms and the gauge of the grounding cable must be no less than 18 AWG and the length is 50 cm.
3. The ground installed screw shall comply with 3.5mm minimum in nominal thread diameter, and engage at least two complete threads into metal chassis with appropriate fixing hardware like washer.
4. The grounding cable shall not be removed while normal operating, servicing or maintenance.
5. Installation steps:
Step 1: Ensure the detachable power supply cord removed.
Step 2: Use the screwdriver to turn the screws on the earth ground screw point.
Step 3: Strip one end of the ground wire to the ground hole of system.
Step 4: Connect the other end of the ground wire to a suitable grounding point of building at your side.
Figure shows the grounding points.



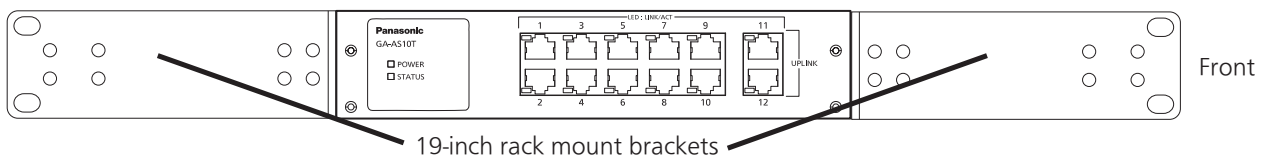
3.2 Mounting to rack

Use the two 19-inch rack mount brackets and eight screws (for fixing the rack mount brackets to the Ethernet Switch) supplied with the mount brackets PN71051 (optional) to fix the mount brackets to the four holes on each side of the Ethernet Switch. Then securely install the Ethernet Switch onto the rack using the four screws (for a 19-inch rack mount) supplied with the mount brackets PN71051 (optional) or the screws supplied with the rack.

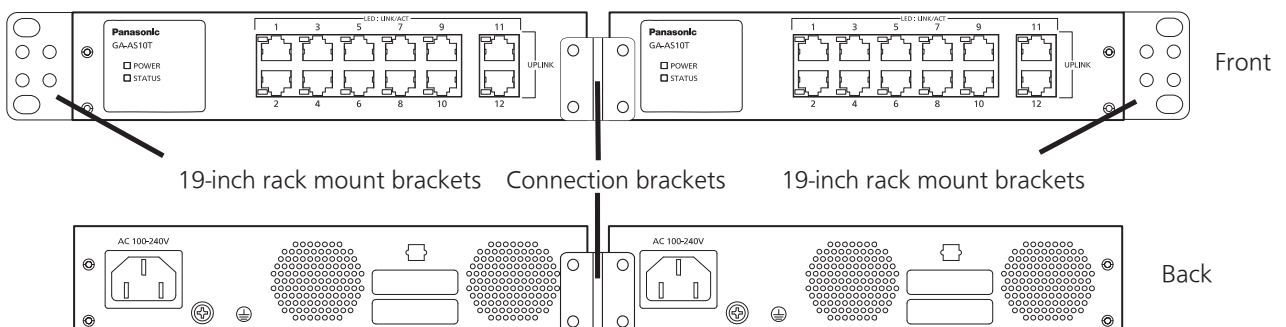
Up to two Ethernet Switches can be connected. When connecting two Ethernet Switches and installing them onto a rack, use the two 19-inch rack mount brackets and eight screws (for fixing the rack mount brackets to the Ethernet Switch) supplied with the mount brackets PN71052 (optional) to fix the mount brackets to the four holes on one side of the Ethernet Switches. Then use the two connection brackets and eight screws (for fixing the connection brackets) supplied with the mount brackets P71052 to securely fix the connection brackets to the connection screw holes on the front and back panels, and then install the Ethernet Switches onto the rack.



- Installation on a rack (one unit)



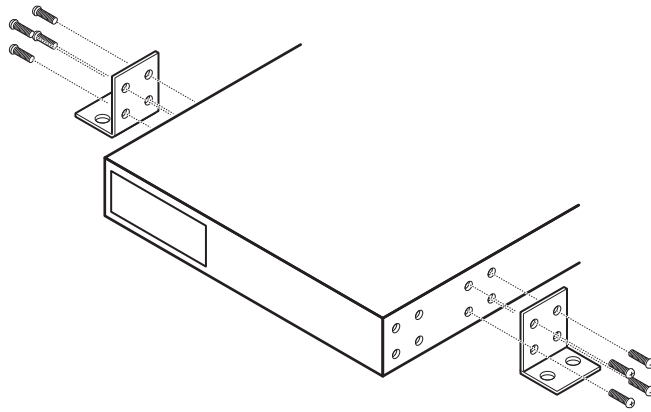
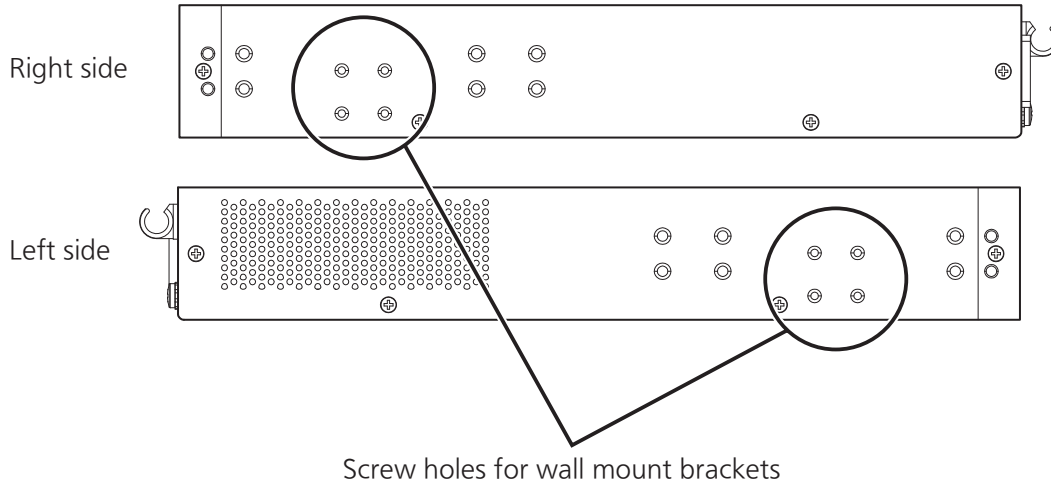
- Installation on a rack (two coupled units)



3 Installation and Configuration

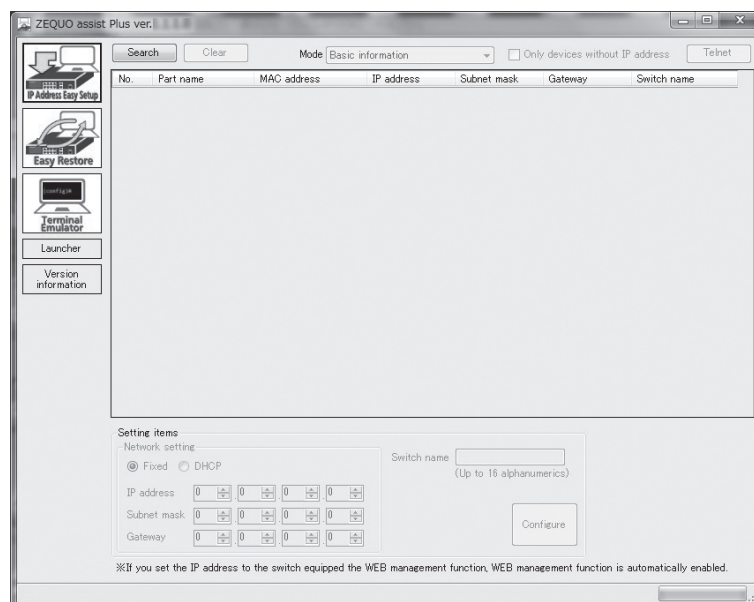
3.3 Mounting on a wall

Use the two wall mount brackets and eight screws (for fixing the wall mount brackets to the Ethernet Switch) supplied with the mount brackets PN71053 (optional) to fix the mount brackets to the four holes on each side of the Ethernet Switch. Then securely install the Ethernet Switch onto the wall using the four screws which have been prepared by the customer.



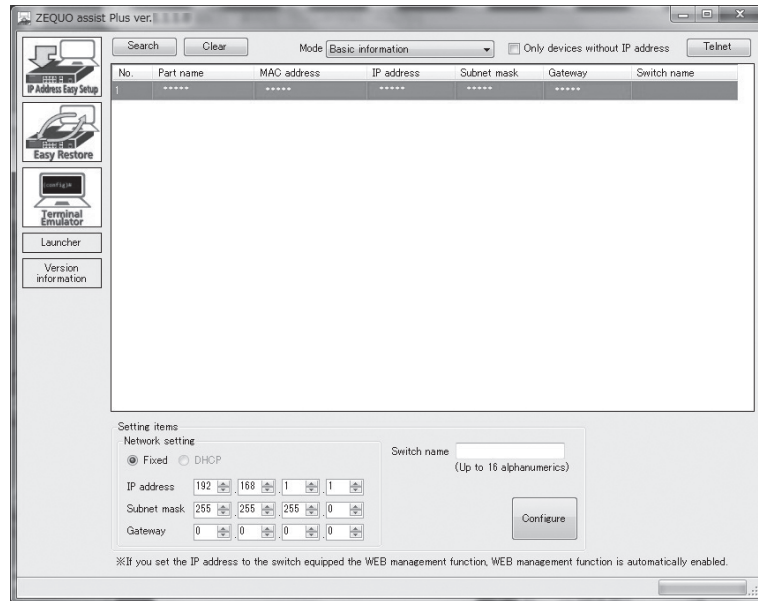
3.4 Configuration of IP address (Basic)

- (1) Directly connect the computer which has ZEQUO assist Plus installed on it from the CD-ROM and this device via twisted pair cables, or connect the computer and this device to the TCP/IP network in the broadcast domain which the L3 switch routers do not go through, and start up ZEQUO assist Plus.
- (2) From the list on the left side of the screen, click the "IP Address Easy Setup" button to display the screen shown in Screen 1.
- (3) Press the "Search" button. This application starts searching for Ethernet Switches within the broadcast domain. In a few seconds, the screen displays the list of detected Ethernet Switches. (Screen 2)
- (4) From the list of the detected Ethernet Switches, select a device that you want to configure. In the "Setting item" field in the lower part of the screen, configure "Network setting", "Switch name", and other items.
- (5) Fill in the setting items and press the "Setting execution" button to display the confirmation screen shown in Screen3. Press "Yes" to configure the settings and "No" to cancel them.
- (6) After the settings are reflected into the device correctly, the message shown in Screen4 appears indicating the completion of the settings. If an error message appears, you should search for them again or check the network.

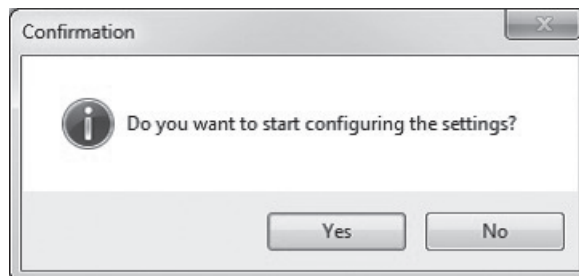


Screen 1

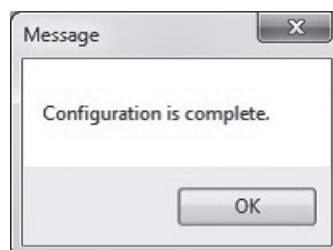
3 Installation and Configuration



Screen 2



Screen 3



Screen 4

* For detailed configuration and management methods, and the settings from the ZEQUO assist Plus and the Web screens, please see the PDF version of the Operating Instructions on Panasonic's website.

Troubleshooting

If you find any problem, please take the following steps to check.

◆ LED

The POWER (Power) LED is not lit.

- Check if the power cord is disconnected. Please confirm that the power cord is securely connected to the power port.
- Is the Ethernet Switch being used at a temperature between 0 and 50°C?
Use the Ethernet Switch in its operating temperature range.

The Port LED is not lit.

- Is the cable correctly connected to the target port?
- Is the cable appropriate to use?
- Are the terminals which are connected to the appropriate ports, 10BASE-T, 100BASE-TX or 1000BASE-T compatible?
- Auto-negotiation may be failing.
Set this device's port setting or the terminal's setting to half-duplex.

◆ Communication is slow.

- Are the communication speed and mode settings correct?
If the proper communication mode signal cannot be obtained, apply half-duplex mode.
Please reconfirm Auto-negotiation setting.
- Is not the utilization ratio of the network to which this Ethernet Switch is connected too high?
Try separating this Ethernet Switch from the network.

◆ Communication fail.

- Is the link-up correct?
Depending upon the devices connected, linking may not occur if the Power Saving Mode setting and/or the EEE (IEEE802.3az, Energy Efficient Ethernet functions) setting is "Enabled" . Change the settings as per the following.
 1. Change the Power Saving Mode setting to "Half" or "Disabled".
 2. Change the EEE (IEEE802.3az) setting to "Disabled".